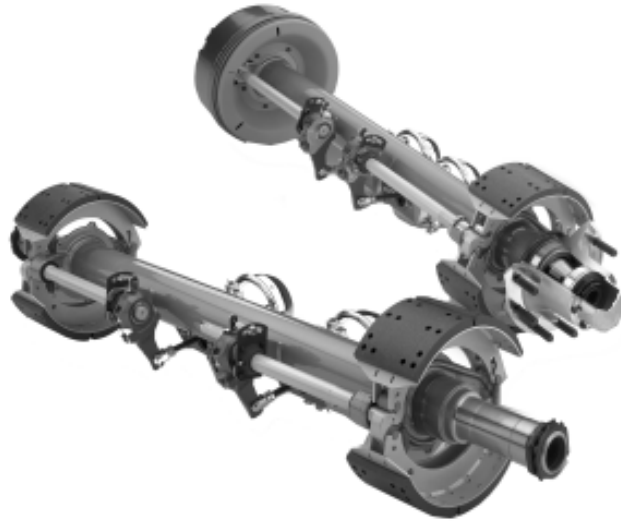


# TRAILER AXLES



## Trailer Axles

Part Number	Track	Beam Rating	Tube Size	Wall Size	Bearing Set	Brake Size	Cam Length
TN4671-LR-1250	71.5"	22,500	5"	1/2"	1	16.5" x 7"	20-5/8"
TN4671-LR-1350	71.5"	22,500	5"	1/2"	1	16.5" x 7"	23-3/4"
DEX657750	71.5"	25,000	5"	5/8"	1	12.25" x 7.5"	23-1/8"
TQ4671-LR-1350	71.5"	25,000	5"	5/8"	1	16.5" x 7"	23-3/4"
P22AX603-372	71.5"	25,000	5"	5/8"	2	16.5" x 7"	23-3/4"
TN4671-LR-7350	77.5"	22,500	5"	1/2"	1	16.5" x 7"	23-3/4"
DEX657742	77.5"	25,000	5"	5/8"	1	12.25" x 7.5"	23-1/8"
TQ4671-LR-7350	77.5"	25,000	5"	5/8"	1	16.5" x 7"	23-3/4"
P22AX603-173	77.5"	25,000	5"	5/8"	2	16.5" x 7"	23-3/4"

## Off-The-Road Trailer Axles

Part Number	Track	Beam Rating	Tube Size	Wall Size	Bearing Set	Brake Size	Cam Length
DEX657711	84"	22,500	5"	1/2"	1	16.5" x 7"	23.44"
DEX657714	96"	22,500	5"	1/2"	1	16.5" x 7"	23.44"
DEX1069503	96"	25,000	5"	5/8"	1	16.5" x 7"	23.44"

### **Bearing Set 1:**

Axles with HM218248 inner & HM212049 outer bearings.

### **Bearing Set 2:**

Axles with HM518445 inner & outer bearings.

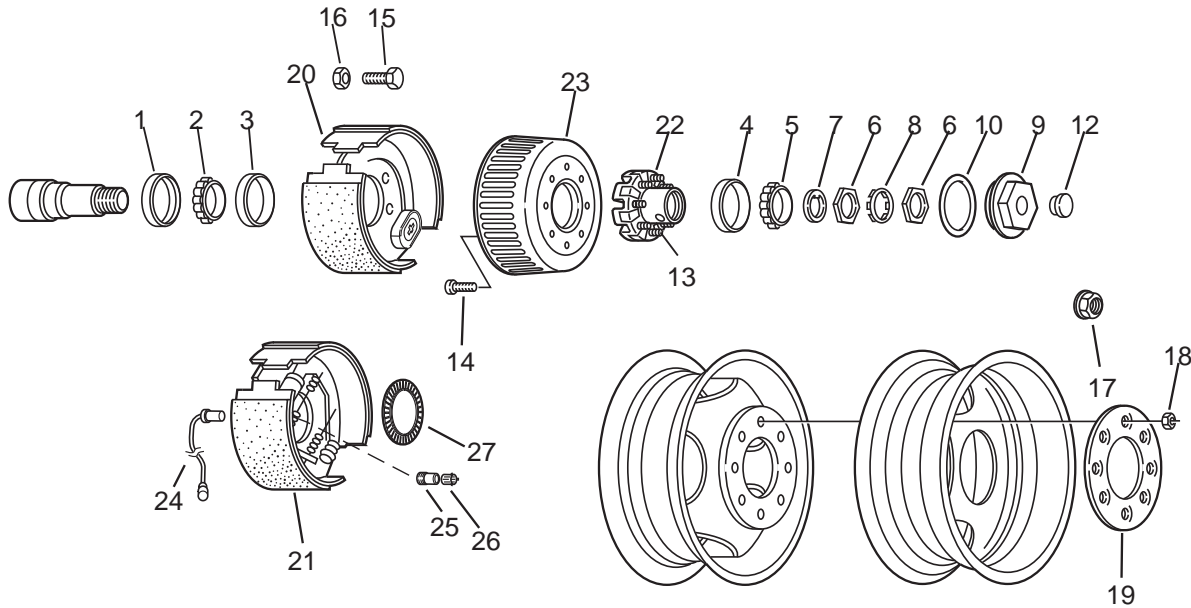


# DEXTER HUBS / DRUMS



## 9K & 10K General Duty Hub Group

8 on 6.50  
Bolt Pattern Hub Group



### OIL LUBE PARTS

Item	Part No.	Description
1	10-51	Oil Seal
2	387A	Inner Bearing Cone
3	382A	Inner Bearing Cup
4	25520	Outer Bearing Cup
5	25580	Outer Bearing Cone
6	006-096-00	Spindle Nut
7	005-070-00	Spindle Washer
8	005-071-00	Tang Washer
9	021-036-00	Oil Cap
10	010-050-00	'O' Ring
12	046-032-00	Oil Cap Plug
14	007-245-00	Drum Mounting Screw
15	007-116-00	Brake Mounting Bolt
16	006-017-00	Brake Mounting Nut
n/s	005-008-00	Lockwasher

### HUB & DRUM

Item	Part No.	Description
22	008-288-03	Oil Hub w/cups & studs
23	009-044-01	Drum - Machined
n/s	009-044-03	Drum - ABS
n/s	008-288-05	Oil Hub & Drum w/cups & studs

### ABS COMPONENTS

Item	Part No.	Description
24	097-004-00	Sensor, Straight
25	024-204-00	Sensor Block
26	097-002-00	Sensor Clip
27	024-203-00	Tone Ring

### STUDS & WHEEL NUTS

Item	Part No.	Description
13	007-115-00	5/8-18 x 3.16" Long Press-in Stud
17	006-058-00	5/8-18 Flange Nut
18*	006-109-00	5/8-18 90° Cone
19*	033-052-01	Clamp Ring

\* Must use the 90° Cone nut with the clamp ring. Alternate fastener is just the flange nut.

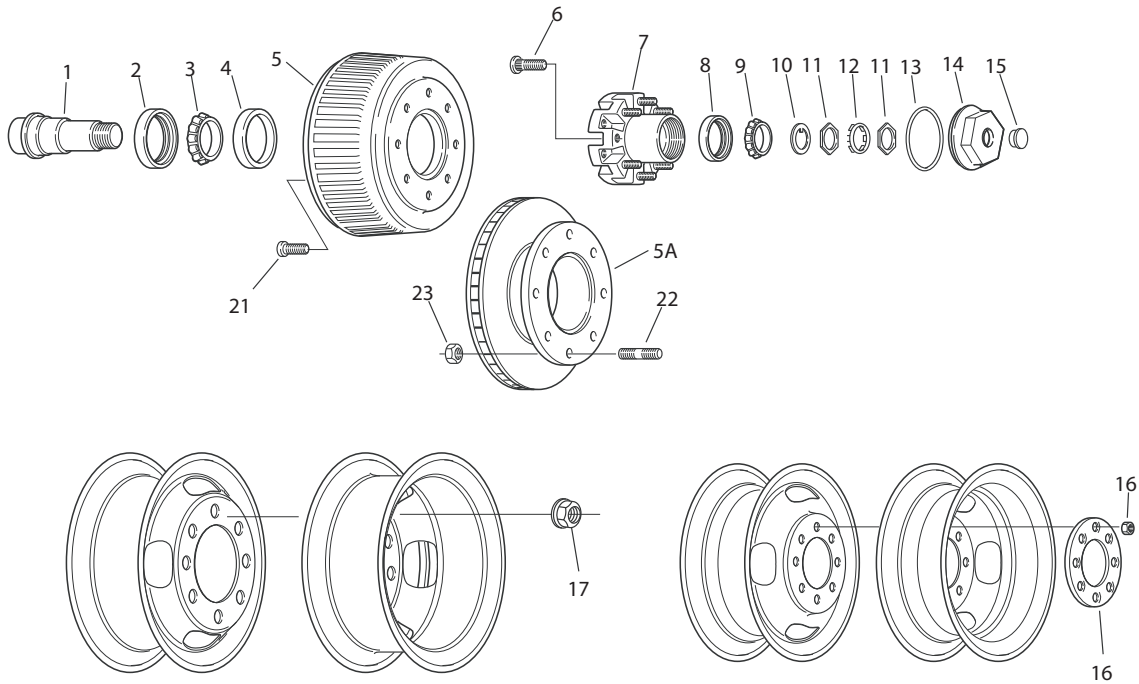
### 12 1/4 X 3 3/8 BRAKES

Item	Part No.	Description
20	K23-450-00/K23-451-00	LH/RH Electric, FSA
21	K23-410-00/K23-411-00	LH/RH Hydraulic, FSA, Duo-servo
-	K23-210-00/K23-211-00	LH/RH Hydraulic, RSA, DS w/park
-	K23-412-00/K23-413-00	LH/RH Hydraulic, FSA, Uni-servo
-	K23-234-00/K23-235-00	LH/RH Hydraulic, Uni-servo w/ park



# DEXTER HUBS / DRUMS

## 10K, 12K, and 15K Hub Groups



Item	Description	10K	12K	12K	12K	12K	15K
		8 on 6.50	Disc 8 on 6.50	Low-Profile 8 on 6.50	Hi-Profile 8 on 6.50	Disc 8 on 6.50	8 on 275mm
2	Unitized Oil Seal	10-56	10-56	10-56	10-56	10-56	10-56
3	Inner Bearing Cone	395S	395S	3984	3984	3984	3984
4	Inner Bearing Cup	394A	394A	3920	3920	3920	3920
5	Brake Drum	009-027-01	---	009-028-01	009-028-01	---	009-028-01
5	Brake Drum-ABS	009-027-03	---	009-028-05	009-028-05	---	009-028-05
5A	Brake Drum Rotor	---	070-006-01	---	---	007-006-01	---
5A	Brake Drum Rotor-ABS	---	070-006-02	---	---	007-006-02	---
6	Wheel Mtg. Stud	007-115-00	007-115-00	007-115-00	007-115-00	007-115-00	007-194-00 (std) 007-195-00 (long)
7	Hubs w/Cups & Studs	008-214-05	008-214-06	008-216-08	008-214-08	008-214-10	008-401-05 (std stud) 008-401-06 (long stud)
8	Outer Bearing Cup	382A	382A	28622	28622	28622	28622
9	Outer Bearing Cone	387A	387A	28682	28682	28682	28682
10	Spindle Washer	005-060-00	005-060-00	005-060-00	005-060-00	005-060-00	005-060-00
11	Spindle Nut	006-084-00	006-084-00	006-084-00	006-084-00	006-084-00	006-084-00
12	Tang Washer	005-059-00	005-059-00	005-059-00	005-059-00	005-059-00	005-059-00
13	Oil Cap "O" Ring	010-050-00	010-050-00	010-050-00	010-050-00	010-050-00	010-050-00
14	Oil Cap	021-036-00	021-036-00	021-036-00	021-036-00	021-036-00	021-036-00
15	Oil Cap Plug	046-032-00	046-032-00	046-032-00	046-032-00	046-032-00	046-032-00
16	Wheel Clamp Ring	033-052-01	033-052-01	033-052-01	033-052-01	033-052-01	---
	Wheel Nut	006-109-00	006-109-00	006-109-00	006-109-00	006-109-00	---
17	Flange Nut (swivel)	---	---	---	---	---	006-118-00
21	Drum Mounting Screw	007-244-00	---	007-244-00	007-244-00	---	007-244-00
22	Rotor Mounting Stud	---	025-014-00	---	---	025-014-00	---
23	Rotor Mounting Nut	---	006-046-00	---	---	006-046-00	---

# BRAKE DRUMS



Cast Drum

## Cast Drums

Part #	Brake Size	Bolt Circle	Mount
63631F	12.25" x 7.50"	10-8.75"	Inboard
65541B	15.00" x 4.00"	10-11.25"	Outboard
60876F	16.50" x 7.00"	10-11.25"	Outboard
62200F	16.50" x 7.00"	10-11.25"	Inboard
66864F	16.50" x 7.00"	10-11.25"	Outboard
66884F	16.50" x 7.00"	10-11.25"	Outboard
66893F	16.50" x 7.00"	10-11.25"	Outboard
66895B	16.50" x 7.00"	10-11.25"	Outboard
68921F	16.50" x 7.00"	10-11.25"	Inboard



Centrifuse Drum

## Centrifuse Drums

Part #	Brake Size	Bolt Circle	Mount	Drum Back#	Drum Band#
87101B	16.50" x 7.00"	10-11.25"	Outboard	91611	87105
87156B	16.50" x 7.00"	10-11.25"	Outboard	87157	87105
87407B	16.50" x 7.00"	10-11.25"	Inboard	88152	87105
88797B	16.50" x 7.00"	8-275mm	Outboard	88798	87105
89467B	16.50" x 8.62"	10-11.25"	Outboard	91611	87618
89996B	16.50" x 7.00"	10-285.75mm	Outboard	91538	87105

### GUNITE = WEBB

3166	66893F
3483	66893F
2536	62200F
2705	62200F
2769	66895B
2942	66895B
3120	60876F
3141	66895B
3158	65541B
3401	66864F
3557	63631F
3576	66884F
3668	66864F
1635C	62200F
1650A	62200F
1746A	62200F
1812E	68921F
2097B	62200F
2546B	68921F
3141X	66895B
3215X	66895B
3570A	66864F
3600A	66864F
3600B	66864F
7013X	66895B

### Drum Interchanges

#### DURABRAKE = WEBB

1244	63631F
1628	62200F
1629	62200F
1685	68921F
14158	65541B
16280	62200F
16283	66895B
16290	62200F
16729	60876F
16792	66864F
16794	66895B
16795	66893F
16798	66895B

#### KIC = WEBB

52877-11	60876F
52020-01	62200F
53039-01	63631F
52336-148	64115D
52824-138	64119B
54241-018	65541B
53033-01	66864F
52878-01	66892F
53026-01	66893F
52705-308	66895B
52705-30	66895F

### DAYTON = WEBB

12582	62200F
120063	62200F
120106	62200F
120379	68921F
120782	62200F
120877	60876F
122506	68921F
122548	66895B
122550	66895B
122607	66893F
122643	62200F
122854	62200F
122905	62200F
122978	66893F
123022	66864F
123207	66864F
123312	65541B
123365	66884F
123376	66893F
123404	66864F
123415	60876F
123416	66864F
123416	66884F
123417	62200F
123422	60876F

