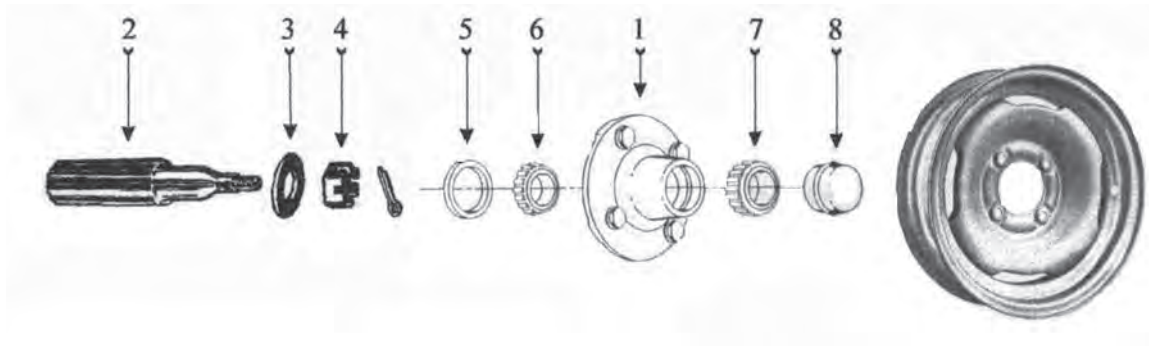


# AGRICULTURAL SECTION



## AGRICULTURAL CONTENTS

<b>INDUSTRIAL/AG WHEELS</b> .....	<b>95</b>
Agricultural Wheels/Rims .....	95
Skid Steer Wheels .....	95
<b>AG HUBS &amp; SPINDLES</b> .....	<b>96 -97</b>

# INDUSTRIAL/AG WHEELS

AGRICULTURAL



## Agricultural Wheels/Rims

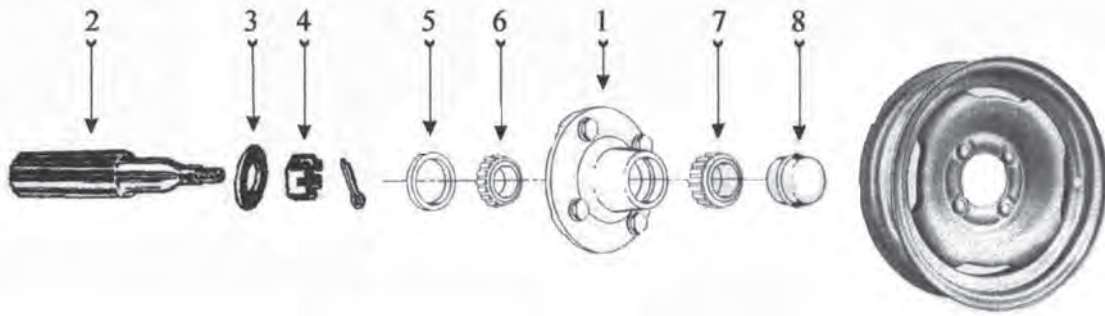
	Part #	Size	Bolt Circle	Offset	Description	Hub Pilot	Capacity (lbs.)
14"	W41328	14" x 8"	6 - 6"	1 1/8"	inset	4.625"	2800
	W51812	15" x 4.5"	4 - 5"	3/8"	outset	3.625"	1250
	W51712	15" x 5"	4 - 5"	3/8"	outset	3.625"	1250
15"	W51522	15" x 5"	5 - 5.5"	1/4"	outset	4.00"	2200
	W511635	15" x 6"	6 - 6"	1 1/8"	inset	4.625"	3500
	W52220	15" x 6"	5 - 5.5"	1/4"	outset	4.00"	2200
	W50334	15" x 8"	6 - 6"	1 1/8"	inset	4.626"	3800
	W51150	15" x 8"	8 - 8"	1 1/8"	inset	6.00"	5000
	W50534	15" x 10"	6 - 6"	1 1/8"	inset	4.625"	3800
	W51350	15" x 10"	8 - 8"	1 1/8"	inset	6.00"	5000
	W62435	16" x 6"	6 - 6"	1 1/8"	inset	4.625"	3500
16"	W64635	16" x 8"	6 - 6"	1 1/8"	inset	4.625"	3800
	W60355	16" x 8"	8 - 8"	1 1/8"	inset	6.00"	5500
	W60555	16" x 10"	8 - 8"	1 1/8"	inset	6.00"	5500
	W64460	16.1" x 11"	8 - 8"	3/8"	inset	6.00"	6000
	W617760	16.1" x 16"	8 - 8"	1 1/8"	inset	6.00"	6000
	Rim	R3217156Z2	Rim & Clamp (bolt circle 6 - 20.5")				

## Skid Steer Wheels

Part #	Machine	Size	Bolt Pattern	Offset	Hub Backset	Center	Capacity (lbs.)
W63338V	Case /John Deere	16 1/2" x 8 1/4"	6 - 6"	0.375"	5"	4.62"	3800
W635060V	New Holland /Bobcat	16 1/2" x 8 1/4"	8 - 8"	0.483"	5.5"	6.00"	6000
W63660V	Case "75 XT"	16 1/2" x 8 1/4"	8 - 8"	0.375"	5"	6.00"	6000
W63760V	Bobcat	16 1/2" x 9 3/4"	8 - 8"	0.375"	6"	6.00"	6000
W65760V	Bobcat	16 1/2" x 9 3/4"	8 - 8"	1.421"	7.25"	6.00"	6000
W68660V	John Deere	16 1/2" x 9 3/4"	8 - 8"	1.125"	6.75"	6.00"	6000



# AG HUBS & SPINDLES



4 on 5" Bolt Pattern 3.62" Pilot  
1500 lbs. Capacity at 20 MPH

5 on 5½" Bolt Pattern 4" Pilot  
2760 lbs. Capacity at 20 MPH

Parts Breakdown		
Ref #	Part #	Description
1	633200-4	Complete Hub
2	S5101E12	Spindle Assembly 1½" Butt Diameter
3	P301802	Spindle Washer
4	P251703	Spindle Nut
5	SE150-232-31TC	Grease Seal
6	LM 67048	Inner Bearing
7	LM 11949	Outer Bearing
8	P502003	Grease Cap

Parts Breakdown		
Ref #	Part #	Description
1	719200-5	Complete Hub
2	S8130F-16	Spindle Assembly. 1¾" Butt Diameter
3	P301804	Spindle Washer
4	P251721	Spindle Nut
5	15190	Grease Seal
6	LM 48548	Inner Bearing
7	LM 67048	Outer Bearing
8	P502026	Grease Cap

6 on 6" Bolt Pattern 4.62" Pilot  
3500 lbs. Capacity at 20 MPH

6 on 6" Bolt Pattern 4.62" Pilot  
3560 lbs. Capacity at 20 MPH

Parts Breakdown		
Ref #	Part #	Description
1	2-35660F-04-00	Complete Hub
2	SA3500F	Spindle Assembly. 2" Butt Diameter
3	SW-750	Spindle Washer
4	SN-750	Spindle Nut
5	SL-175	Grease Seal
6	JL3910	Inner Bearing
7	LM 67048	Outer Bearing
8	1604	Grease Cap

Parts Breakdown		
Ref #	Part #	Description
1	888200-6	Complete Hub
2	S5103G16	Spindle Assembly 1¾" Butt Diameter
2	LS8133-I-00	Spindle Assembly 2" Butt Diameter
3	P301804	Spindle Washer
4	P251721	Spindle Nut
5	SE162-256-43TC	Grease Seal
6	JL 69349	Inner Bearing
7	LM 67048	Outer Bearing
8	P502026	Grease Cap



# AG HUBS & SPINDLES

8 on 8" Bolt Pattern 6" Pilot  
4500 lbs. Capacity at 20 MPH

Parts Breakdown		
Ref #	Part #	Description
1	2-45880F-04-00	Complete Hub
2	SA-4500F	Spindle Assembly. 2¼" Butt Diameter
3	SW-750	Spindle Washer
4	SN-750	Spindle Nut
5	SL-226	Grease Seal
6	LM 603049	Inner Bearing
7	LM 67048	Outer Bearing
8	1604	Grease Cap

6 on 6" Bolt Pattern 4.62" Pilot  
4910 lbs. Capacity at 20 MPH

Parts Breakdown		
Ref #	Part #	Description
1	803200-6	Complete Hub
2	S5137J14	Spindle Assembly. 2½" Butt Diameter
3	P301804	Spindle Washer
4	P251705	Spindle Nut
5	SE200-362-25TC	Grease Seal
6	25590	Inner Bearing
7	25877	Outer Bearing
8	P502001	Grease Cap

8 on 8" Bolt Pattern 6" Pilot  
6000 lbs. Capacity at 20 MPH

Parts Breakdown		
Ref #	Part #	Description
1	2-60880F-04-00	Complete Hub
2	SA6000F	Spindle Assembly. 2¾" Butt Diameter
3	SW-1001	Spindle Washer
4	SN-1001	Spindle Nut
5	SL-275	Grease Seal
6	JLM 506849	Inner Bearing
7	LM 501349	Outer Bearing
8	1609	Grease Cap

8 on 8" Bolt Pattern 6" Pilot  
8000 lbs. Capacity at 20 MPH

Parts Breakdown		
Ref #	Part #	Description
1	758200-8	Complete Hub
2	S5199K00	Spindle Assembly. 3.00" Butt Diameter
3	P301807	Spindle Washer
4	P251706	Spindle Nut
5	CR29968	Grease Seal
6	387AS	Inner Bearing
7	LM 501349	Outer Bearing
8	P502008	Grease Cap

10 on 11.25" Bolt Pattern 8.69" Pilot  
15,000 lbs. Capacity at 20 MPH

Parts Breakdown		
Ref #	Part #	Description
1	873202-10	Complete Hub
2	S5296U00	Spindle Assembly. 3½" Butt Diameter
3	P301808	Spindle Washer
4	P251702	Spindle Nut
5	CR33772	Grease Seal
6	BR33275	Inner Bearing
7	BR 460	Outer Bearing
8	P502016	Grease Cap

