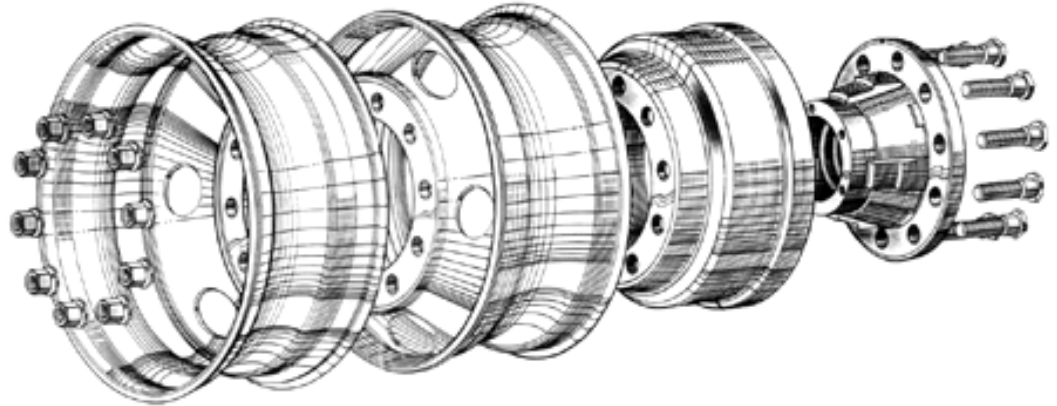


STEEL WHEELS

Hub Piloted



8 Hole - 275mm Bolt Circle - 221mm Bore

Part #	Fig.#	Wheel Size	Valve Stem	Whl.Offset	Max. Load(lbs)	HH
28656PW	1	17.5 x 6.75	463-00500	5.60"	5355	4
50180PW	1	19.5 x 6.75	463-00575	5.60"	5000	4
88884E	---	22.5 x 8.25	463-00573	6.62"	7400	4
88790E	---	24.5 x 8.25	463-00573	6.62"	7400	4

10 Hole - 285.75mm Bolt Circle - 220mm Bore

Part #	Fig.#	Wheel Size	Valve Stem	Whl.Offset	Max. Load(lbs)	HH
29195PG	2	19.5 x 7.50	463-54636	6.40"	6700	5
29001PG	2	22.5 x 7.50	463-00500	6.44"	6200	5
50408PW	3	22.5 x 8.25	463-00572	6.62"	7400	2
50487PW	2	22.5 x 8.25	463-00572	6.62"	7400	5
29300PW	2	22.5 x 9.00	463-00573	7.00"	9000	5
28409PW	3	24.5 x 8.25	463-00573	6.62"	7300	2



Fig. 1



Fig. 2



Fig. 3



Part #
402-11000

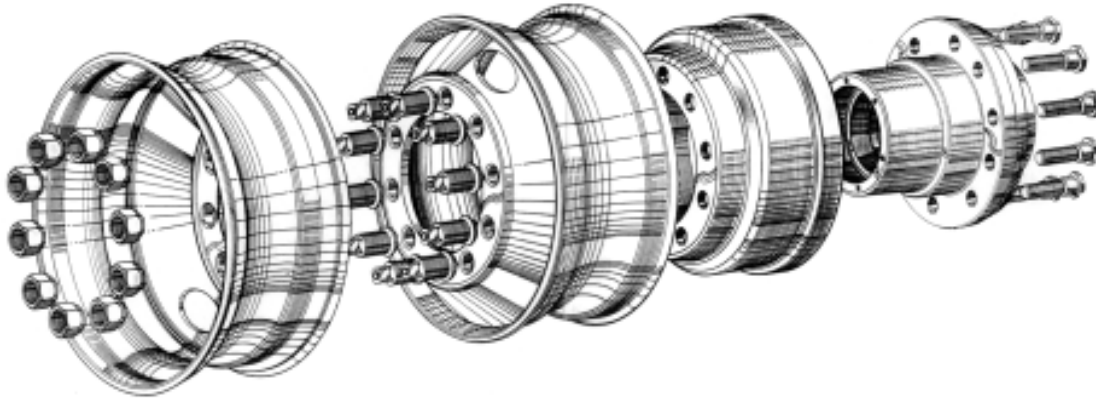
Application
Wheel Guard for 10 Hole Hub-Piloted Wheels w/ 22mm Studs

PG = Painted Grey
PW = Painted White
HH = Hand Hole



STEEL WHEELS

Stud Piloted



10 Hole - 11 1/4" Bolt Circle - 8.72" Bore

Part #	Fig.#	Wheel Size	Valve Stem	Whl.Offset	Max. Load(lbs)	HH
27403PG	1	22.5 x 7.50	463-00500	6.44"	6610	2
27404PW	1	22.5 x 8.25	463-00572	6.62"	7400	2
28549PW	1	22.5 x 8.25	463-00573	6.62"	8000	2
28192PW	---	22.5 x 9.00	463-00572	3.12"	9000	0
28510 PW	1	22.5 x 9.00	463-00573	7.00"	9000	2
27406PW	1	24.5 x 8.25	463-00573	6.62"	7300	2
28410PW	1	24.5 x 8.25	463-00573	6.62"	7700	2



Fig. 1



Fig. 2



Fig. 3

PG = Painted Grey
PW = Painted White
HH = Hand Hole



Part #	Application
402-16000	Wheel Guard for 10 Hole Stud Piloted Wheels w/ 3/4" Studs
402-17000	Wheel Guard for 10 Hole Stud Piloted Wheels w/ 1-1/8" Studs

10 Hole - 8 3/4" Bolt Circle - 6.50" Bore

Part #	Fig.#	Wheel Size	Valve Stem	Whl.Offset	Max. Load(lbs)	HH
28112PW	2	17.5 x 6.75	C-14	6.19"	5070	2

6 Hole - 8 3/4" Bolt Circle - 6.50" Bore

Part #	Fig.#	Wheel Size	Valve Stem	Whl.Offset	Max. Load(lbs)	HH
28145PG	3	17.5 x 6.75	463-00500	6.07"	5070	2
29388PG	3	19.5 x 6.00	462-00416	5.00"	3640	2
28157PG	---	22.5 x 6.75	463-00500	5.94"	4610	6

RIMS & SPACER BANDS



Fig. 1

On-Highway Tubeless Rims

Part #	Fig.#	Rim Size	Valve Stem	Rim Offset	Max. Load(lbs)
31868-17.5PG	1	17.5 x 6.75	463-00572	3.90"	4805
30371-22.5PG	1	22.5 x 7.50	463-00572	4.26"	6610
30391-22.5PG	1	22.5 x 8.25	463-00573	4.75"	7300
30391-24.5PG	1	24.5 x 8.25	463-00573	4.75"	7300

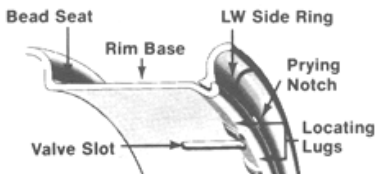


Fig. 2

2 Piece On-Highway Tube-Type Rims

Assembly #	Fig.#	Rim Size	Rim Offset	Rim Base #	Lock Ring #
6515LWDE	2	15 x 6.50	3.715"	B6515LWDE	R6515LWE
7515LWDE	2	15 x 7.50	4.258"	B7515LWDE	R8015LWE
7520LWDE	2	20 x 7.50	4.258"	B7520LWDE	R8020LWE
8020LWDE	2	20 x 8.00	4.496"	B8020LWDE	R8020LWE

Two piece truck rims have the rim base size and type located on the inside diameter or weather side of the rim base. Lock ring size and type is stamped on the outside face close to the split in the ring.



LW Type Rims

Spacer Bands for Tubeless Rims

Part #	Fig.#	Width	Diameter	Inside Diameter
4015KSB	3	4.000"	15"	13.578"
3520KSB	3	3.625"	20"	18.578"
4020KSB	3	4.000"	20"	18.578"
4220KSB	3	4.250"	20"	18.578"
4420KSB	3	4.500"	20"	18.578"
4022KSB	3	4.000"	22"	20.578"
4222KSB	3	4.250"	22"	20.578"

17.5" diameter rims use 15" spacer bands
 22.5" diameter rims use 20" spacer bands
 24.5" diameter rims use 22" spacer bands



Fig. 3

ALCOA WHEELS

Alcoa wheels are available in four finishes. Part numbers listed below are for machined finish. Polished finishes are indicated by changing the last digit of the part number to one of the following:

1 = Polished Outside 2 = Polished Inside 3 = Polished Both Sides

* = Available in Dura-Bright (Add "DB" To The End Of The Part Number)

Or in Dura-Flange (Add "DF" To The End Of The Part Number)



Fig. 1



Fig. 2



Fig. 3



Fig. 4



Fig. 5



Fig. 6



Fig. 7

Hub Piloted Wheels

8 Hole - 275mm Bolt Circle - 221.1mm Hub Bore - Uses Two-Piece Flange Nuts

Part #	Fig.#	Wheel Size	Outset	Inset	Max. Load(lbs)	Valve Stems
883440	1	22.5 x 8.25	6.66"	5.82"	7400	463-05444

10 Hole - 285.75mm Bolt Circle - 220.1mm Hub Bore - Uses Two-Piece Flange Nuts

Part #	Fig.#	Wheel Size	Outset	Inset	Max. Load(lbs)	Valve Stems
773601	2	19.5 x 7.50	6.10"	5.28"	6615	463-00543
883640*	2	22.5 x 8.25	6.66"	5.81"	7400	463-05444
893640*	2	22.5 x 9.00	6.94"	6.04"	9000	463-05444
823650*	3	22.5 x 12.25	3.50"	2.38"	11400	463-05435
823640*	4	22.5 x 12.25	5.80"	4.68"	11000	463-00542
823600*	3	22.5 x 12.25	0.56"	---	12300	463-05435
841600	---	22.5 x 14.00	2.00"	---	12800	463-15454
983640*	2	24.5 x 8.25	6.60"	5.73"	7400	463-05454

Stud Piloted Wheels

10 Hole - 11.25" Bolt Circle - 8.73" Hub Bore - Uses Inner & Outer Cap Nuts

Part #	Fig.#	Wheel Size	Outset	Inset	Max. Load(lbs)	Valve Stems
883110*	5	22.5 x 8.25	6.66"	5.68"	7200	463-05454
893000	5	22.5 x 9.00	6.94"	5.94"	9000	463-05433
823000	6	22.5 x 12.25	0.56"	---	11400	463-05435
823050	6	22.5 x 12.25	3.88"	2.76"	11400	463-05435
823060A	7	22.5 x 12.25	5.84"	4.68"	11000	463-05543
983120	5	24.5 x 8.25	6.60"	5.59"	7200	463-05454

Valve Stems Included With Alcoa Wheels!



ALCOA WHEEL ACCESSORIES



Fig. 1



Fig. 2

Aluminum Care Products

Part #	Fig.#	Description
<u>Aluminum Care Products</u>		
ALC-22C	---	22oz Aluminum Spray Gel Cleaner
ALC-16P	---	16oz Aluminum Paste Polish
ALC-13S	---	12oz Aluminum Spray on Sealant
ALC-KIT	1	Contains One of Each Cleaner, Polish and Sealant

PDQ Brightener And Polish

ALC-PDQ8	2	8oz Aluminum Brightener
----------	---	-------------------------

Alcoa Wheel Accessories



Part #	Fig.#	Description
<u>Hub Cover Kits - Front</u>		
077188B	---	Hub Piloted Drive Wheel kit for One Wheel
076185B	---	Hub Piloted Steer Wheel
076155B	---	Stud Piloted Steer Wheel
077155B	---	Stud Piloted Drive Wheel

Hub Cover Kits - Rear

076188B	---	Hub Piloted Steer Wheel Kit for One Wheel
077188B	---	Hub Piloted Drive Wheel Kit for One Wheel
077185B	---	Hub Piloted Drive Wheel
076155B	---	Stud Piloted Steer Wheel
077155B	---	Stud Piloted Drive Wheel



WHEEL ACCESSORIES

Chrome Hubcaps

Part #	Fig.#	Description
FRONT:		
203CD	1	8-23/32" Hubcap w/ 4 Notches, for Steel Wheels Only
204CD	1	8-23/32" Hubcap w/ 5 Notches, 3/8" lip, for Steel Wheels Only
208HCD	2	8-23/32" Hubcap w/ 6 Multi-Notches, 3/8" lip, for Steel Wheels Only. Fits: 4, 5, & 6 Notch Hub
REAR:		
300CD	3	Fits 7-1/4" Dia. Axle w/ Twelve 1/2" Studs or Eight 9/16" Studs
310CD	3	Fits 8-1/2" Dia. Axle w/ Eight 5/8" Studs
320CD	3	Fits 8-1/2" Dia. Axle w/ Eight 5/8" Studs w/ Hub Hole
330CD	3	9-1/4" Trailer Hubcap, with Clips
201	---	Replacement Clips, Set of 4



Fig. 1



Fig. 2



Fig. 3

Chrome Nut Covers

Part #	Fig.#	Hex	Height	Description
105	4	1-1/2"	1-1/2"	Short Domed Cover
110	5	1-1/2"	2"	Tall Bullet Style Cover
111	6	33mm	2-1/4"	Tall Bullet Style Cover
125	4	1-1/16"	1-1/4"	Domed Cover



Fig. 4



Fig. 5



Fig. 6



Fig. 7

Alcoa Chrome Hug-A-Lug Covers

Part #	Fig.#	Hex	Description
H-150	7	1-1/2"	Ball Seat Nut Cover
H-181	8	33mm	Hub Piloted Nut Cover
H-190	9	1-1/16"	Lug Nut Cover for Two-Piece Flange Nuts



Fig. 8



Fig. 9

Tools

Part #	Fig.#	Description
30606	10	Lug Nut Cover Remover
31567	11	Wheel Cover Puller 17 1/2"



Fig. 10

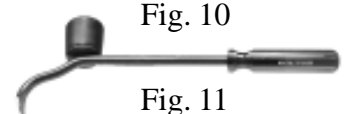


Fig. 11

